



Product Advantages



Ultra wide viewing angle



High efficient



High Contrast

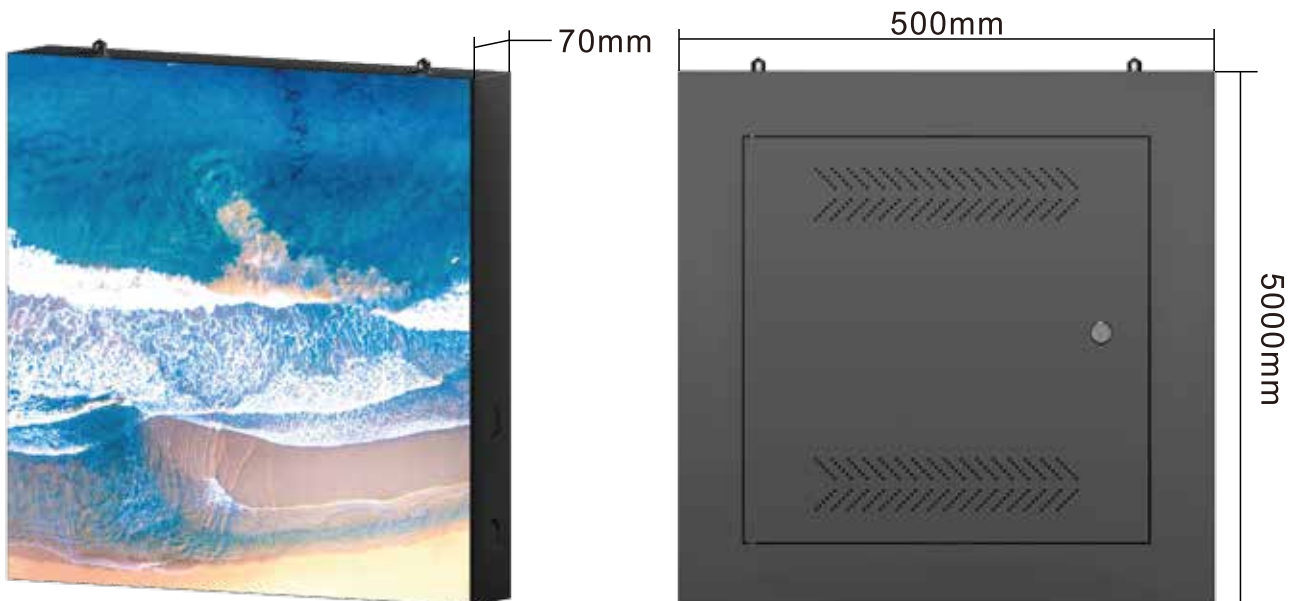


High Refresh Rate



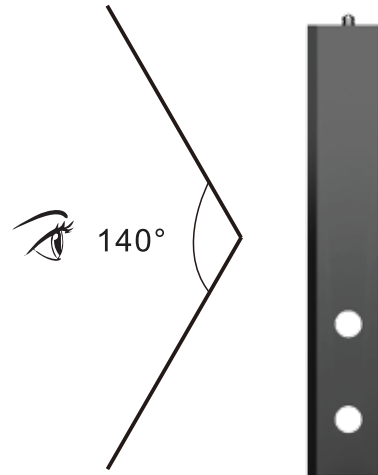
High Gray Scale

Ultra wide viewing angle



Ultra wide viewing angle

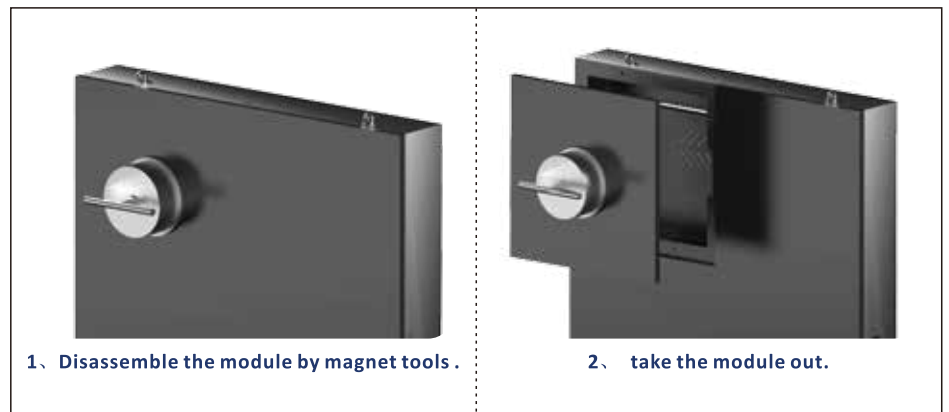
Up to 140° wide view angle
to cover more audience



High efficient

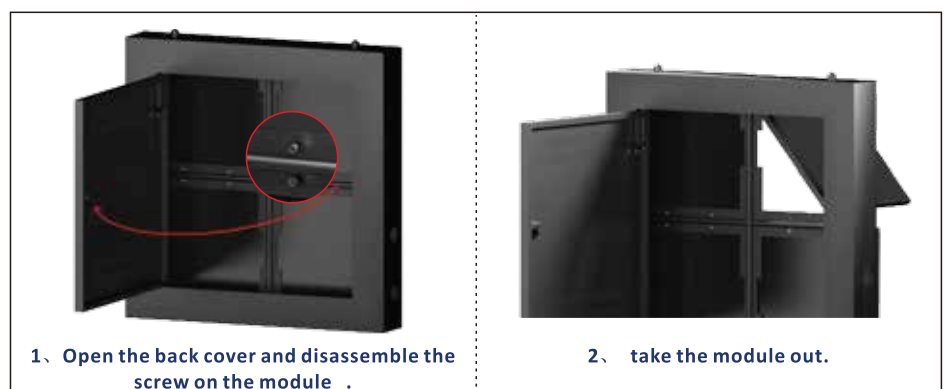
Front Maintenance

For the front access, Just have to disassemble the module by magnet tool, unnecessary to remove the screw.



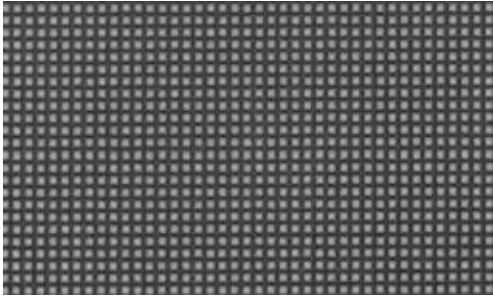
Rear Maintenance

For back access, only have to remove the screw on the module, our single cables are clasp design, it isn't need to remove too many screws.

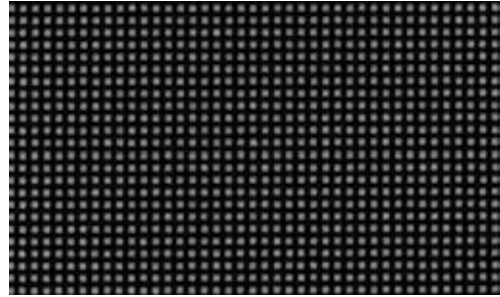


High Contrast

Matte black high level indoor LED lamp brings vivid visual feast and high contrast ratio, perform better pictures.



Low Contrast



High Contrast

High Gray Scale



Low Gray Scale



High Gray Scale

The gray scale is 16bit and the display color is 281 trillion.

High Refresh Rate

The product is fitted with the high-end video processing system with the refresh rate reaching up to 1920-3840Hz.



Low Refresh Rate

High Refresh Rate

Technical Parameter

Specifications

	ITEM	AIDF-3.9	AIDF-4.8	AIDF-6.25
LED Module	LED	SMD 3 IN 1	SMD 3 IN 1	SMD 3 IN 1
	Pixel Pitch (mm)	3.9	4.8	6.25
	Module Resolution (WxH)	64x64	52x52	52x52
	Module Size (WxHxD mm)	250x250	250x250	250x250
	Module Weight (kg/pcs)	0.6	0.6	0.6
	Module Quantity (WxH)	2x2	2x2	2x2
Cabinet	Cabinet Resolution	128x128	104x104	80x80
	Cabinet size (WxHxD mm)	500x500x70	500x500x70	500x500x70
	Cabinet Area (m ²)	0.25	0.25	0.25
	Weight (kg/m ²)	35	35	35
	Pixel Density	65,536	43,264	25,600
	Cabinet Material	Iron	Iron	Iron
	Maintenance	Front/Rear Optional	Front/Rear Optional	Front/Rear Optional
Electrical Parameter	Color Temperature (K)	3200-9300 (Adjustable)	3200-9300 (Adjustable)	3200-9300 (Adjustable)
	Brightness (nit)	1000-1200	1000-1200	1000-1200
	Horizontal Angle (°)	140	140	140
	Vertical Angle (°)	140	140	140
	Contrast Ratio	4000:1	4000:1	4000:1
	Max Power Consumption (W/m ²)	550-600	550-600	550-600
	Average Power Consumption (W/m ²)	275-300	275-300	275-300
	Working Voltage (V)	AC110/220V	AC110/220V	AC110/220V
	Refresh Rate (HZ)	1920-3840	1920-3840	1920-3840
Usage Environment	Life (H)	50,000	50,000	50,000
	Operating Temperature (°C)	-20°C ~ +50°C	-20°C ~ +50°C	-20°C ~ +50°C
	Storage Temperature (°C)	-35°C ~ +70°C	-35°C ~ +70°C	-35°C ~ +70°C
	Storage Temperature (°C)	-35°C ~ +70°C	-35°C ~ +70°C	-35°C ~ +70°C
	Storage Humidity (RH)	10~95 (No-Condensation)	10~95 (No-Condensation)	10~95 (No-Condensation)